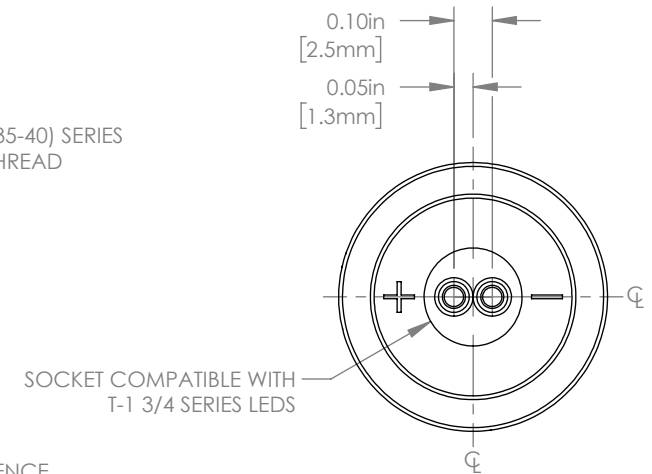
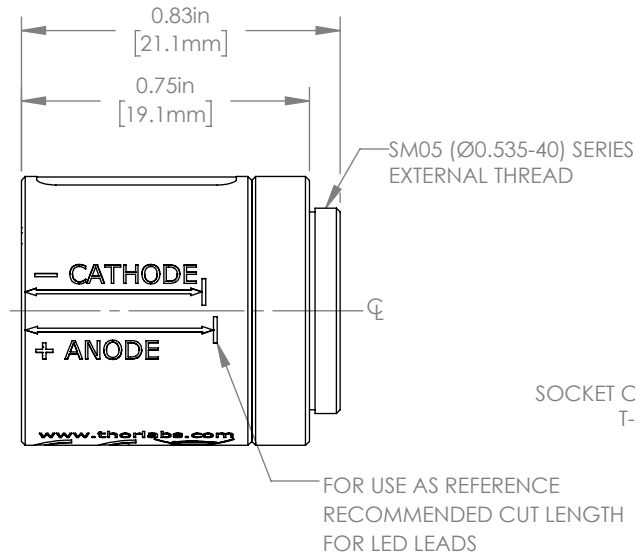
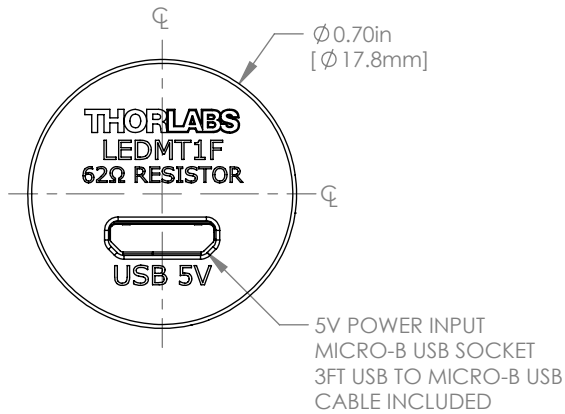
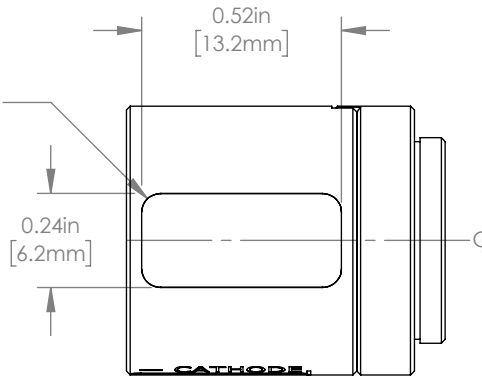
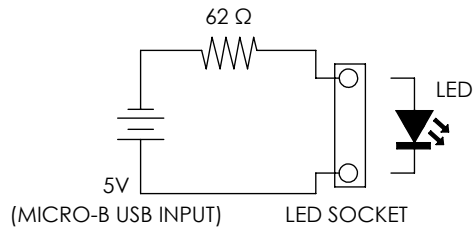


RECOMENDED FOR USE WITH
LED525E
LED591E
LED630E
LED631E
LED780E
LED870E
LED940E
LED1050E
LED1070E
LED1200E
LED1300E
LED1450E
LED1550E
LEDW25E
LEDW7E

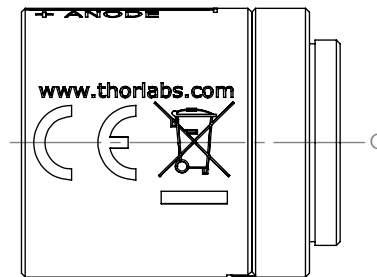
ENGRAVED SURFACE PROVIDED FOR LABELING LED WAVELENGTH



ANODE/CATHODE ORIENTATION
CRITICAL TO LED FUNCTION



ELECTRICAL CIRCUIT DIAGRAM



FOR INFORMATION ONLY
NOT FOR MANUFACTURING PURPOSES

DRAWING PROJECTION			THORLABS www.thorlabs.com	
NAME	DATE	T-1 3/4 LED MODULE 62 Ω RESISTOR		
DRAWN	AV	13/DEC/16	MATERIAL	
APPROVAL	KBH	16/DEC/16	N/A	
COPYRIGHT © 2016 BY THORLABS			ITEM #	APPROX WEIGHT
VALUES IN PARENTHESIS ARE CALCULATED AND MAY CONTAIN ROUND OFF ERRORS			LEDMT1F	0.01 kg
			REV	B